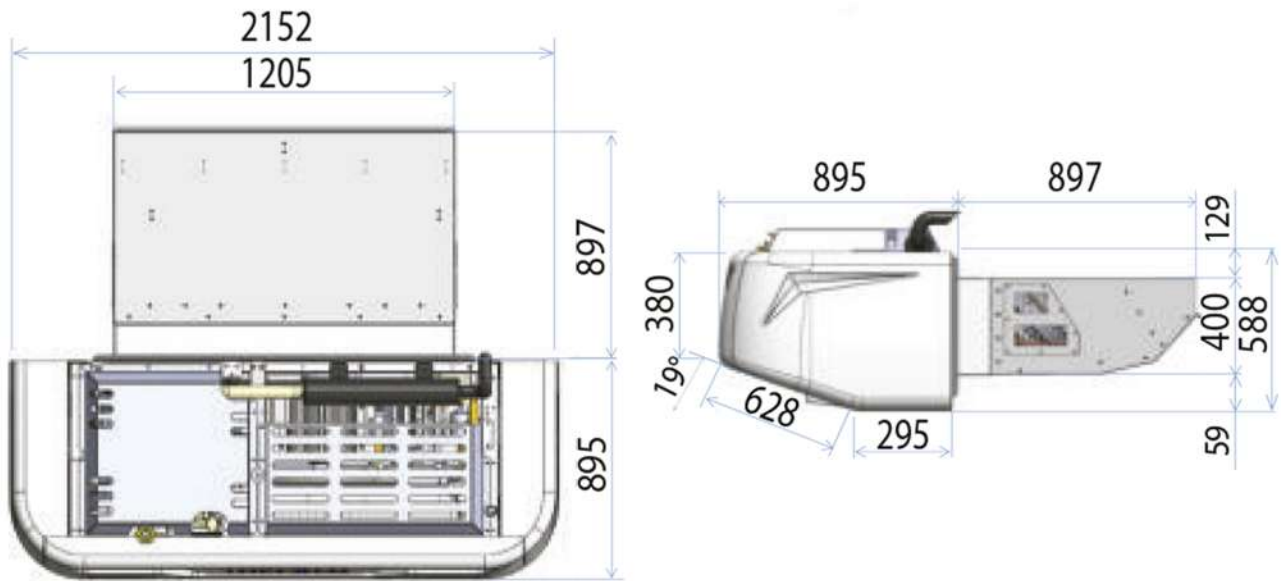
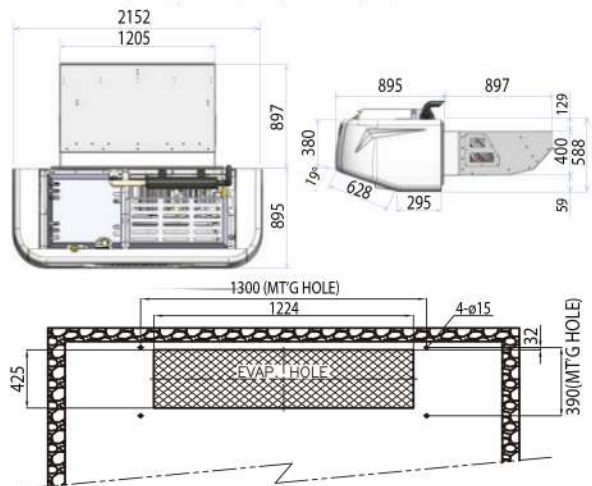


Refrimarket 750 con standby - DS750-MESC



Model		DS-750MESC	DS-950MESC	DS-1100M	DS-1100MESC
Volume of the cargo		42~54m ³		54~60m ³	
Engine	Model	Yanmar 3 TNV-76/Japan		Yanmar 3 TNV-82/Japan	
	No. of Cylinder	3			
	Displacement	1116cc		1331cc	
	Output	20.2kW / 27 HP		21.9kW / 29.4 HP	
Compressor	Model	Bock FKX40_470TK		Bock FKX40_560TK	
	No. of Cylinder	4			
Cooling Capacity (Kcal/h)		-20°C / 5200		-20°C / 5700	
Electric standby (DS-950MESC, 1100MESC)		AC220V/380V/415V, 3Phases, 50/60Hz, 9kW(12HP)		AC220V/380V/415V, 3Phases, 50/60Hz, 11kW(14.7HP)	
Refrigerant		R-404A/6Kg		R-404A/6.8Kg	
Voltage		12V			

■ DS-750M(ESC), 950M(ESC), 1100M(ESC)



Model		DS-750MESC			DS-950MESC			DS-1100M			DS-1100MESC		
Ambient Temp. 30°C, panel thickness 100mm [ESC MODE]	°C	Watts	Kcal/h	BTU/h	Watts	Kcal/h	BTU/h	Watts	Kcal/h	BTU/h	Watts	Kcal/h	BTU/h
	0	10,279	8,840	35,056	10279[6674]	8840[5740]	35056[22762]	11,267	9,690	38,427	11267[8226]	9690[7075]	38427[28057]
	-20	6,047	5,200	20,621	6047[3930]	5200[3380]	20621[13403]	6,627	5,700	22,604	6627[4839]	5700[4162]	22604[16505]